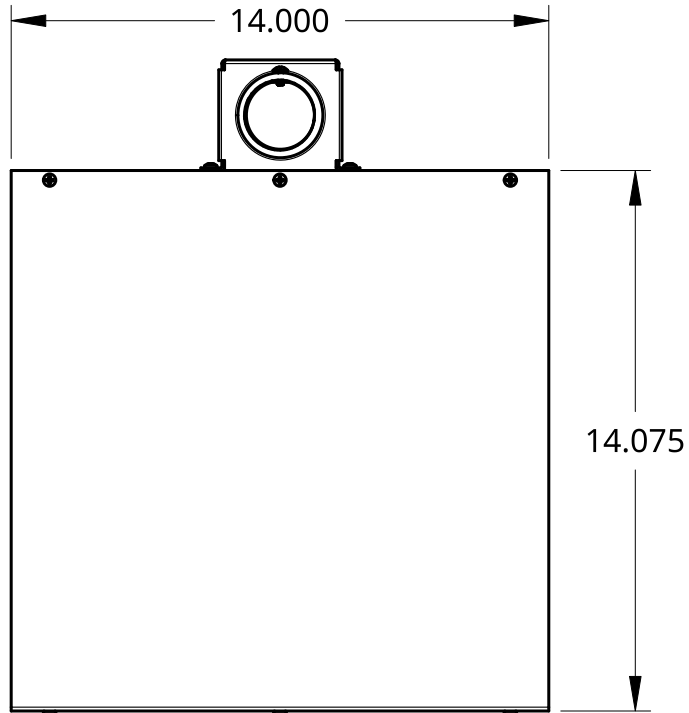
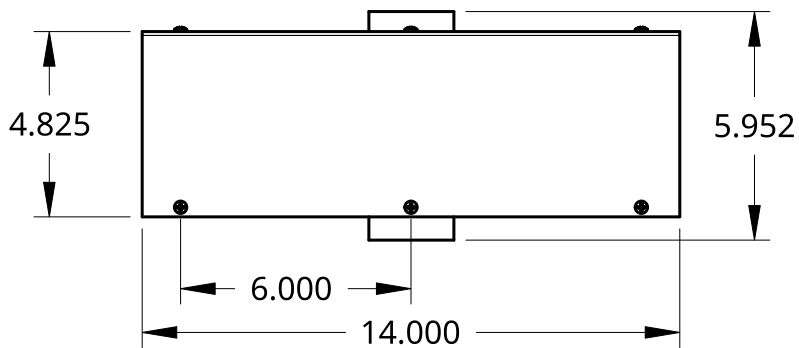


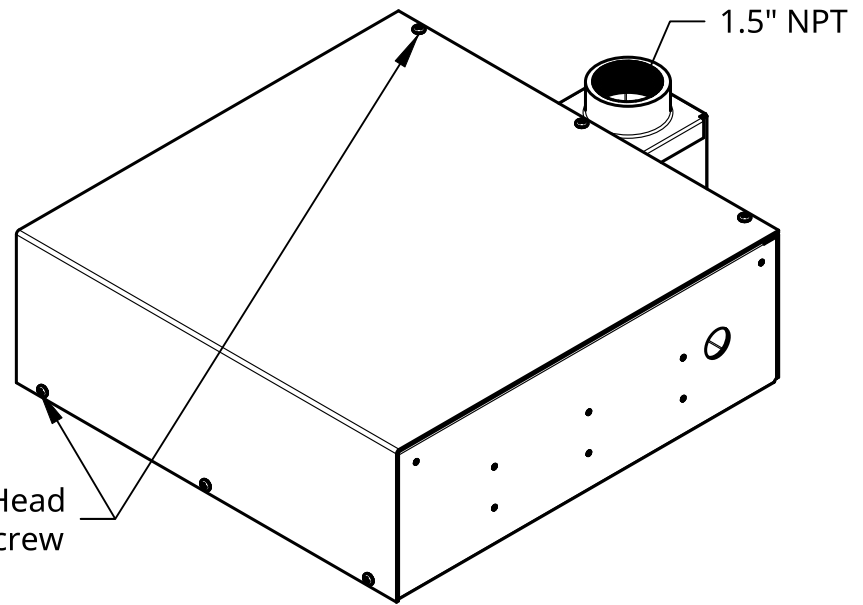
B



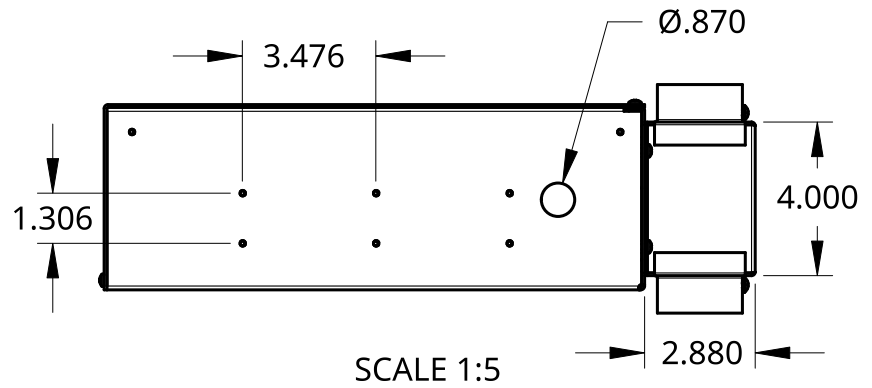
SCALE 1:5



1



SCALE 1:5



SCALE 1:5

A

A

UNLESS OTHERWISE SPECIFIED, DIMENSIONS ARE IN INCHES .XX = ±0- .XXX = ±00- .XXXX = ±000-		NAME	DATE	TITLE NB-PEBPM Pole Mount Equipment Box	
ANGULAR = ± ° FRACTIONAL = ±	DRAWN	Bryan Dierking	04/22/2021		
SURFACE FINISH ✓	CHECKED	Hannah Brent			
DO NOT SCALE DRAWING	APPROVED				
BREAK ALL SHARP EDGES AND REMOVE BURRS	MATERIAL	FINISH	SIZE A	DWG NO.	REV.
THIRD ANGLE PROJECTION 			SCALE 1:5	WEIGHT	SHEET 1 of 1

2

1